
KIT PART NUMBER 4311247
INSTRUCTIONS FOR INSTALLING A SIDE PANEL KIT ON A
SHOPPERTRON

CHECK THE PARTS RECEIVED IN THE KIT WITH THE PARTS LIST IN THESE INSTRUCTIONS. IF ANY PARTS ARE MISSING, CONTACT THE NATIONAL VENDORS PARTS DEPARTMENT IMMEDIATELY.

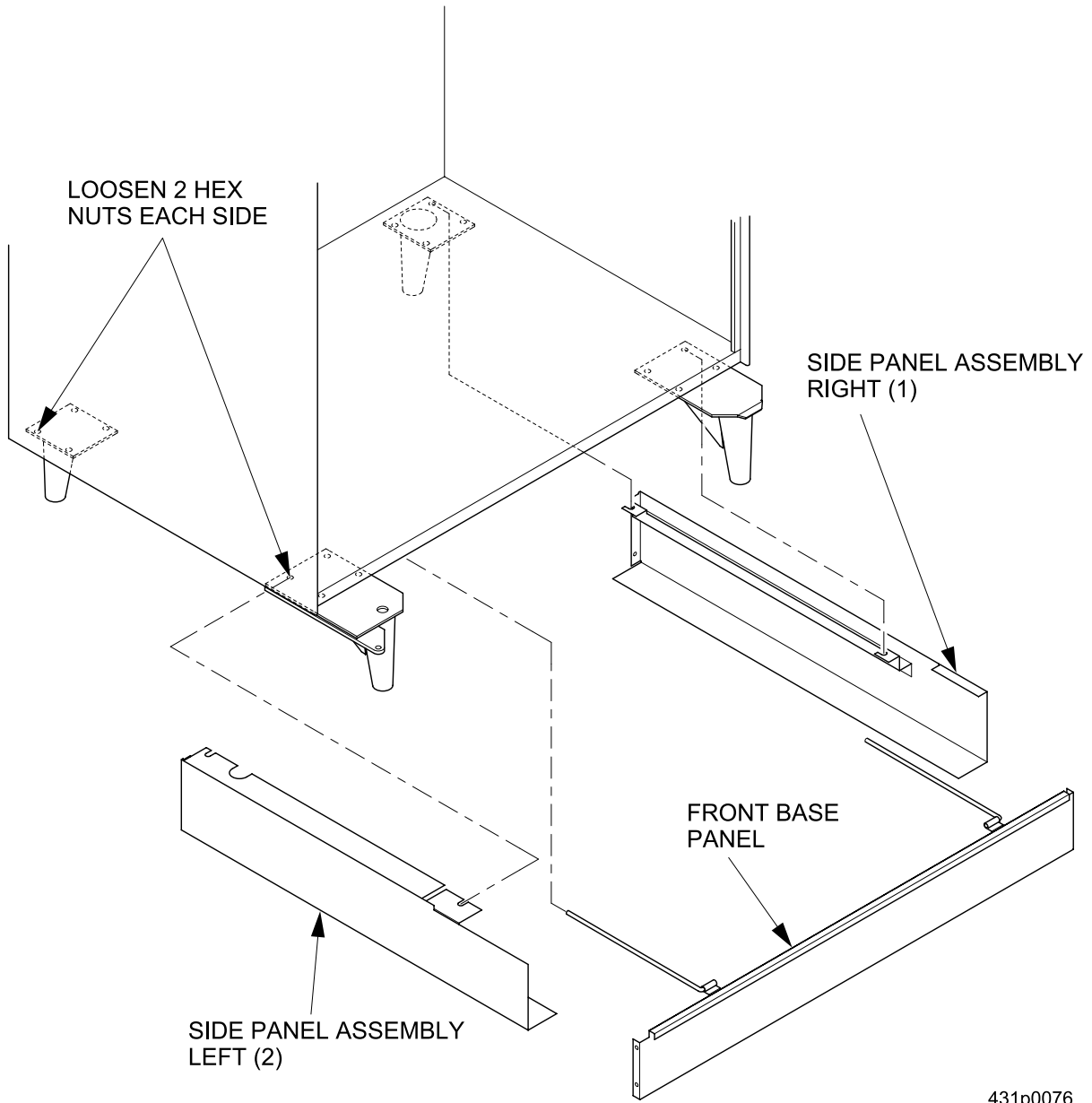
Read these instructions carefully before installing the kit.
Keep these instructions for part numbers and for future reference.

This kit contains the following :

PART NUMBER	DESCRIPTION	QUANTITY
4311245	SIDE PANEL ASSEMBLY - RIGHT - 431 - BLACK	1
4311244	SIDE PANEL ASSEMBLY - LEFT - 431 - BLACK	1

1. Lift up or remove the front base plate panel.
2. On each of the four legs, loosen the hex nuts as shown in the figure.
3. Attach the side panel assemblies by fitting the slots on both side panels over the leg mounting bolts.
4. Tighten the nuts.
5. Replace the front base panel.

Copyright 11/23/99



431p0076